

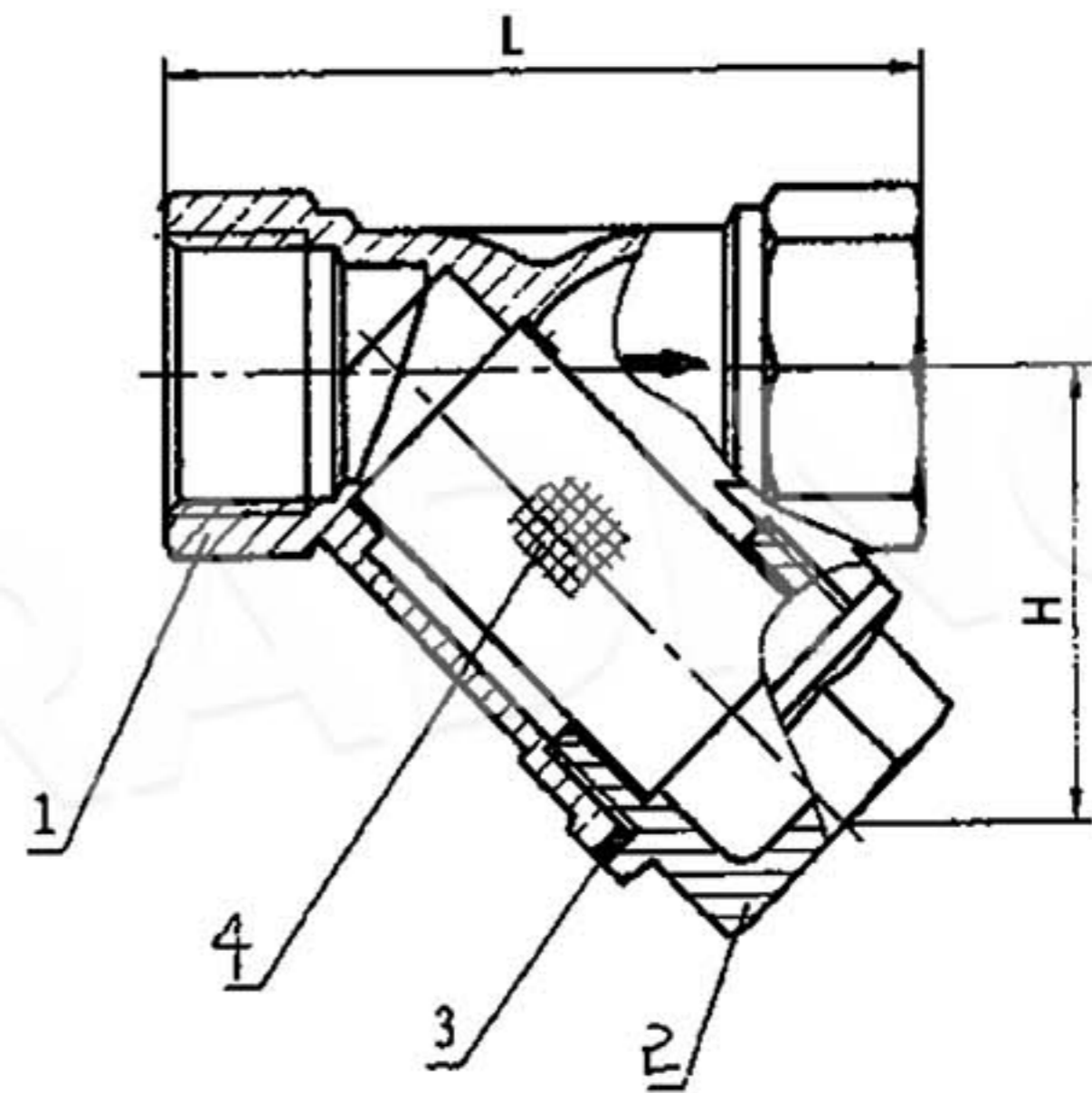
STRAINER



BRASS Y-STRAINER SCREWED ENDS

FEATURE AND APPLICATION

- ◆ Pipe Thread To ISO228
- ◆ Cleaning of screen without disassembling
- ◆ Y-Pattern body design
- ◆ Screen stainless steel
- ◆ Screwed cap
- ◆ Applicable Medium : Water, Oil, Gas, Air
- ◆ Screwed end BSPT Connection
- ◆ Max.Working Pressure : 232 PSI (16 Bar)
- ◆ Max.Working Temperature : -10°C To 120°C
- ◆ Size Range : 1/2" - 4"



Bill of Materials

Sequence	Description	Material	Sizes
1	Body	Brass CW617N	All
2	Cap	Brass CW617N	All
3	Gasket	P.T.F.E	All
4	Screen	Stainless Steel Type304	All

Dimensions

mm

DN	INCH	L	H
15	1/2"	54	33
20	3/4"	63	36
25	1"	73	42
32	1.1/4"	88.5	51
40	1.1/2"	95	52
50	2"	113	68
65	2.1/2"	128	87
80	3"	145	102
100	4"	175	128

